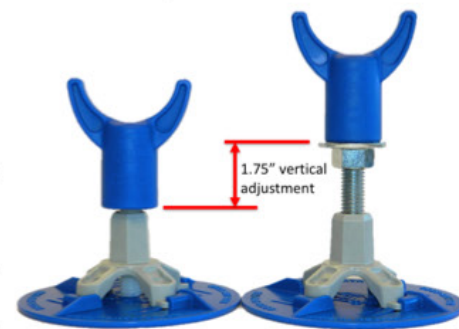
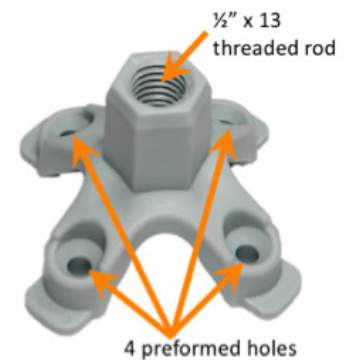
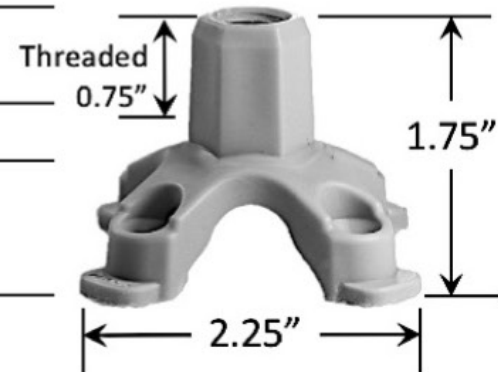


Product Data



FinStand[®] Adjustable Screed Chair Support

| | |
|-----------------------|---|
| PRODUCT NUMBER | 08244STND |
| SIZE | 1.75" overall height |
| APPLICATION | Designed to be an adjustable support for a FinCap [®] or JAWS [®] screed chair with a ½" x 13 threaded rod Elevated slabs on metal decking or wood forms |
| FEATURES | <ul style="list-style-type: none"> • 1.75" vertical adjustment with each rod length • A nut and washer provide fine-tuning during placement to accommodate deck deflection • 4.5" minimum slab thickness using a FinCap[®] and 1.5" ID pipe screed • Different size threaded rods are used for different slab thicknesses. See the chart below. Be sure to not cut shorter rods as it will impact the adjustability. • Four preformed holes for easy securing to decks • Secure to wood deck with nail to ensure easy deck break-away • Secure to metal deck with metal screws • FinStands are designed to be stay-in-place forms • Made of impact resistant, medical grade polypropylene • Will not corrode even in extreme environments • Iowa DOT approved, other states pending • Ideal for use on super flat floors to stay compliant with ACI 302.1R-04, ACI 117 and ASTM E 1155 |
| SPACING | Recommend placing a FinStand screed chair every 3-4' depending on length of screed pipe and sub-grade |
| LOAD | Holds up to 1,000 lbs |
| COVERAGE | 100 FinStands per 3,000sf 100 FinStands per bag |
| MANUFACTURER | Made in USA MAKO Enterprises LLC, Des Moines, IA 50131 |



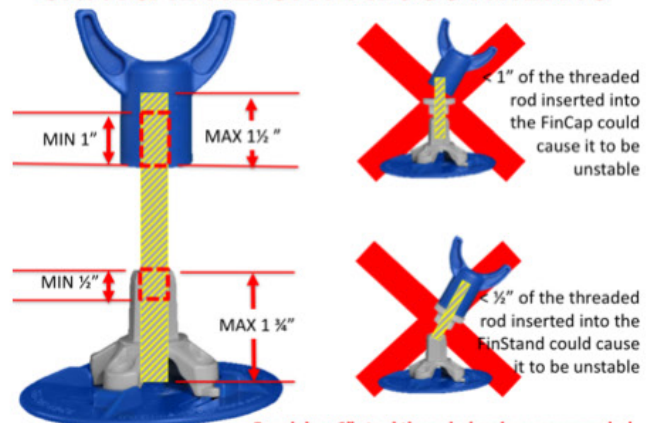
FinCap Slab Depth Chart

| SLAB DEPTH | | RECOMMENDED ALL-THREAD LENGTH | |
|---------------|--------------|-------------------------------|--------|
| 4.5 – 6.25" | 115 - 155 mm | 2.25" | 57 mm |
| 5.5 – 7.25" | 140 – 185 mm | 3.25" | 82 mm |
| 6.5 – 8.25" | 165 – 210 mm | 4.25" | 108 mm |
| 7.5 – 9.25" | 190 – 235 mm | 5.25" | 133 mm |
| 8.5 – 10.25" | 215 – 260 mm | 6.25" | 158 mm |
| 9.5 – 11.25" | 240 – 285 mm | 7.25" | 184 mm |
| 10.5 – 12.25" | 265 – 310 mm | 8.25" | 209 mm |

NOTE: FOR SLABS GREATER THAN 6" (155mm) USING A STEEL ALL-THREAD IS RECOMMENDED

Threaded Rod length will be dependent on the height of the screed rail when using JAWS small or large screed chairs

CRITICAL HEIGHT ADJUSTMENTS



For slabs >6" steel threaded rods recommended

Patented: 8,096,182, 8,544,182 and Patent Pending