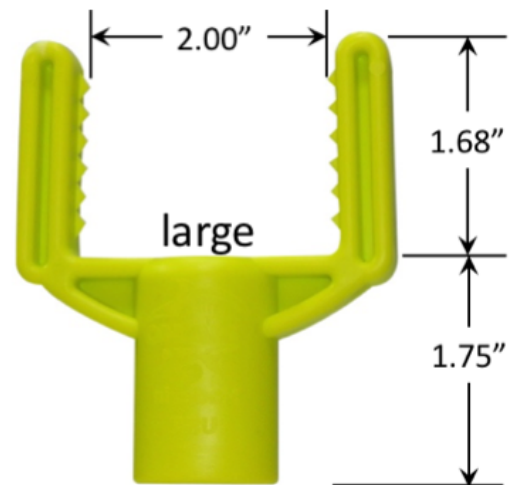
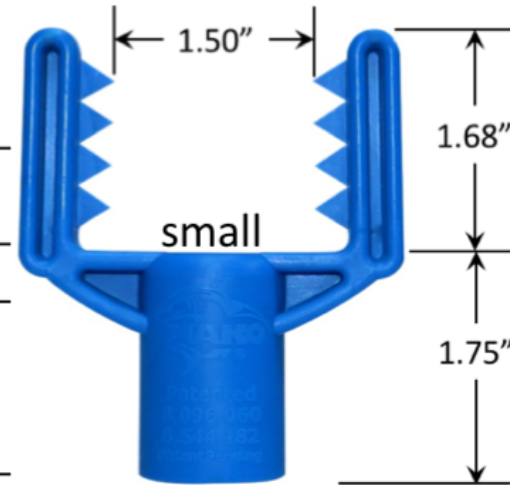


Product Data



JAWS[®] Screed Chair – small JAWS[®] Screed Chair – large

PRODUCT NUMBERS	082411JAW15 small 082412JAW2 large
SIZE	3.50" overall height
APPLICATION	Designed to support: Small: 2x4 lumber, 1.50" or less aluminum, mag or steel rails Large: 1.5" – 2.0" aluminum, magnesium or steel rails Slab-on-grade, elevated slabs, concrete overlay, vapor barrier
FEATURES	<ul style="list-style-type: none"> • The JAWS "teeth" hold the screed rails securely yet release easily when moving down the pour line • Twist the JAWS Screed Chair to hold rails less than 1.5" • Fits any mounting structure 0.375 to 0.625", 0.5" is ideal • "Fins" inside the chair hug the mounting structure so it won't bounce off during placement • Minimum slab thickness dependent on height of rail • JAWS screed chairs are design as stay-in-place forms • Use with hand or mechanical screeds • Use MAKO Driver to set JAWS to achieve consistent, accurate placement every time • Made of impact resistant, medical grade polypropylene • Will not corrode even in extreme environments • Iowa DOT approved, other states pending. • 100% No Breakage Money Back Guarantee • Ideal for use on super flat floors to stay compliant with ACI 302.1R-04, ACI 117 and ASTM E 1155
SPACING	Recommend placing a screed chair every 3-4' depending on length of screed rail and sub-grade conditions
LOAD	Holds up to 1,000 lbs
COVERAGE	100 JAWS per 3,000 sf Packaged 100 JAWS small or large per bag
MANUFACTURER	Made in USA MAKO Enterprises LLC, Des Moines, IA 50131



For rails smaller than 1.50", place rail in JAWS small screed chair and give it a twist to secure in place. Space every 3-4' depending on rail thickness and length and sub-grade. See top view diagram below.



Patented: 8,096,182, 8,544,182 and Patent Pending