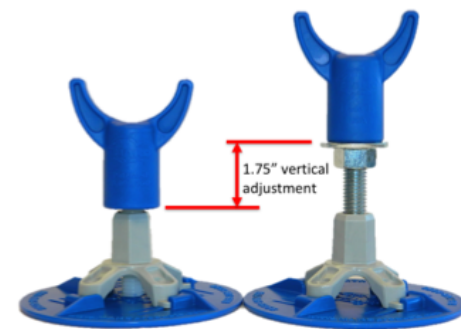
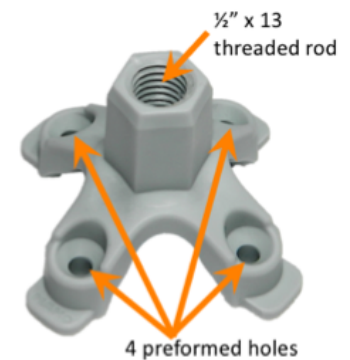
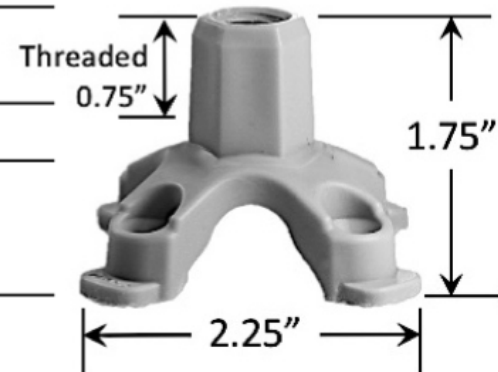


Product Data



FinStand® Adjustable Screed Chair Support

PRODUCT NUMBER	08244STND
SIZE	1.75" overall height
APPLICATION	Designed to be an adjustable support for a FinCap® or JAWS® screed chair with a ½" x 13 threaded rod Elevated slabs on metal decking or wood forms
FEATURES	<ul style="list-style-type: none"> • 1.75" vertical adjustment with each rod length • A nut and washer provide fine-tuning during placement to accommodate deck deflection • 4.5" minimum slab thickness using a FinCap® and 1.5" ID pipe screed • Different size threaded rods are used for different slab thicknesses. See the chart below. Be sure to not cut shorter rods as it will impact the adjustability. • Four preformed holes for easy securing to decks • Secure to wood deck with nail to ensure easy deck break-away • Secure to metal deck with metal screws • FinStands are designed to be stay-in-place forms • Made of impact resistant, medical grade polypropylene • Will not corrode even in extreme environments • Iowa DOT approved, other states pending • Ideal for use on super flat floors to stay compliant with ACI 302.1R-04, ACI 117 and ASTM E 1155
SPACING	Recommend placing a FinStand screed chair every 3-4' depending on length of screed pipe and sub-grade
LOAD	Holds up to 1,000 lbs
COVERAGE	100 FinStands per 3,000sf 100 FinStands per bag
MANUFACTURER	Made in USA MAKO Enterprises LLC, Des Moines, IA 50131



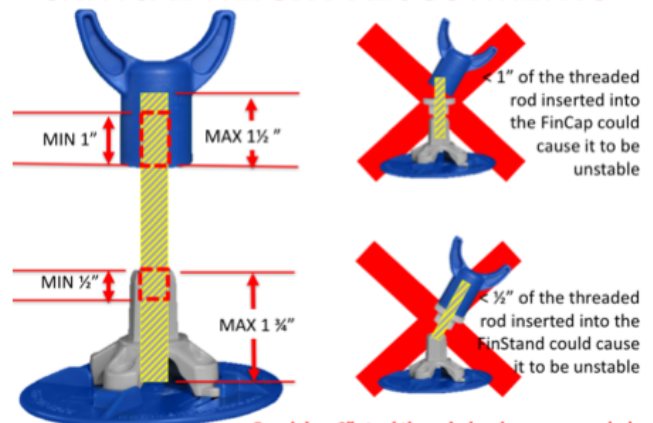
FinCap Slab Depth Chart

SLAB DEPTH		RECOMMENDED ALL-THREAD LENGTH	
4.5 – 6.25"	115 - 155 mm	2.25"	57 mm
5.5 – 7.25"	140 – 185 mm	3.25"	82 mm
6.5 – 8.25"	165 – 210 mm	4.25"	108 mm
7.5 – 9.25"	190 – 235 mm	5.25"	133 mm
8.5 – 10.25"	215 – 260 mm	6.25"	158 mm
9.5 – 11.25"	240 – 285 mm	7.25"	184 mm
10.5 – 12.25"	265 – 310 mm	8.25"	209 mm

NOTE: FOR SLABS GREATER THAN 6" (155mm) USING A STEEL ALL-THREAD IS RECOMMENDED

Threaded Rod length will be dependent on the height of the screed rail when using JAWS small or large screed chairs

CRITICAL HEIGHT ADJUSTMENTS



For slabs >6" steel threaded rods recommended

Patented: 8,096,182, 8,544,182 and Patent Pending